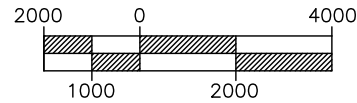
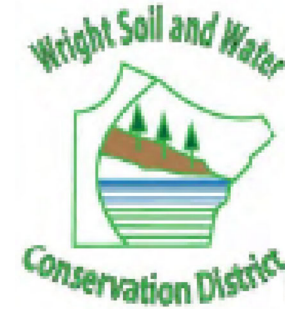


LOCATION MAP
ROCKFORD Township



WRIGHT SOIL AND WATER CONSERVATION DISTRICT



DETAIL PLANS FOR 620 Underground Outlet Anderson/Kohnen WRIGHT COUNTY, MINNESOTA

INDEX OF DRAWINGS	
SHEET	TITLE
1	Cover Page
2	Layout Page
3	Tile Line Profile
4	Plunge Pool Details and Intake Details
5	Details

Minnesota specifications for conservation practices apply for all materials and construction work. These specifications are part of this plan.

NOTE: Changes in the drawings or specifications must be authorized by the owner and the District representative with the proper approval authority.

The owner is responsible for obtaining land rights and local, state, and federal permits or other permission necessary to perform and maintain the practice.

Before start of construction, the owner(s) of any utilities involved must be notified. The excavator is responsible for giving notice by calling "Gopher State One-Call" at (651) 454-0002 (twin cities metro area) or (800) 252-1166 (all other locations) at least 48 hours prior to any excavation.

GSOC Number _____

I have reviewed and understand the plans and specifications and agree to complete the work accordingly. Failure to meet these plans and specifications may jeopardize any financial assistance applied for. I understand that it is my responsibility to secure all necessary permits and licenses, and to complete the work in accordance with all local, state, and federal laws. Modifications of these plans or specifications must be approved by the natural resources conservation service before installation. I assume responsibility for negotiations and agreements with the contractors.

COOPERATORS SIGNATURE _____

DATE _____

SUMMARY OF ESTIMATED QUANTITIES				
ASBUILT	QUANTITY	UNIT	ITEM	SPEC NO.
	1	Job	Common Excavation/ 2 Plunge Pools and Miscellaneous	21
	65	Each	10" Dual Wall Non-Perforated HDPE and Appurtenance	44
	260	Ln. Ft.	10" Dia. Non-Perforated Corrugated Plastic Pipe Appurtenances	44
	1	Each	15" Dissimilar Mastic Coupler	45
	1	Each	10" AND 8" Dia. Grate Style Cover	44
	20	Each	MNDOT Class III Rip-Rap or Technician Approved Field Stone	61
	60	SQ. Yds	MNDOT Type 4 Non-Woven Geotextile	95
	.25	Cu. Yds	¾ Washed Angular Gravel	61
	1	Each	Tree Clearing, Grubbing, Disposal at Landowners Discretion	2
	110	SQ. FT	Western Excelsior SS2 All NATural Control Blanket (or Approved Equal)	6
	1	Job	Seeding all Disturbed Areas	6

CONSTRUCTION CERTIFICATION
THIS INSTALLATION MEETS NRCS STANDARDS AND SPECIFICATIONS. YES NO
INSPECTED BY: _____
CERTIFIED BY: _____
DATE: _____

JOB APPROVAL AUTHORITY LEVEL: 1

BENCHMARK DESCRIPTIONS
TBM 1 - Technician to stake
TMB2 - ELEV
GEOID09, INTERNATIONAL FEET
HORIZONTAL DATUM IS ASSUMED BASED ON UTM ZONE 15N, NAD 1983 CONUS, VERTICAL DATUM ASSUMED

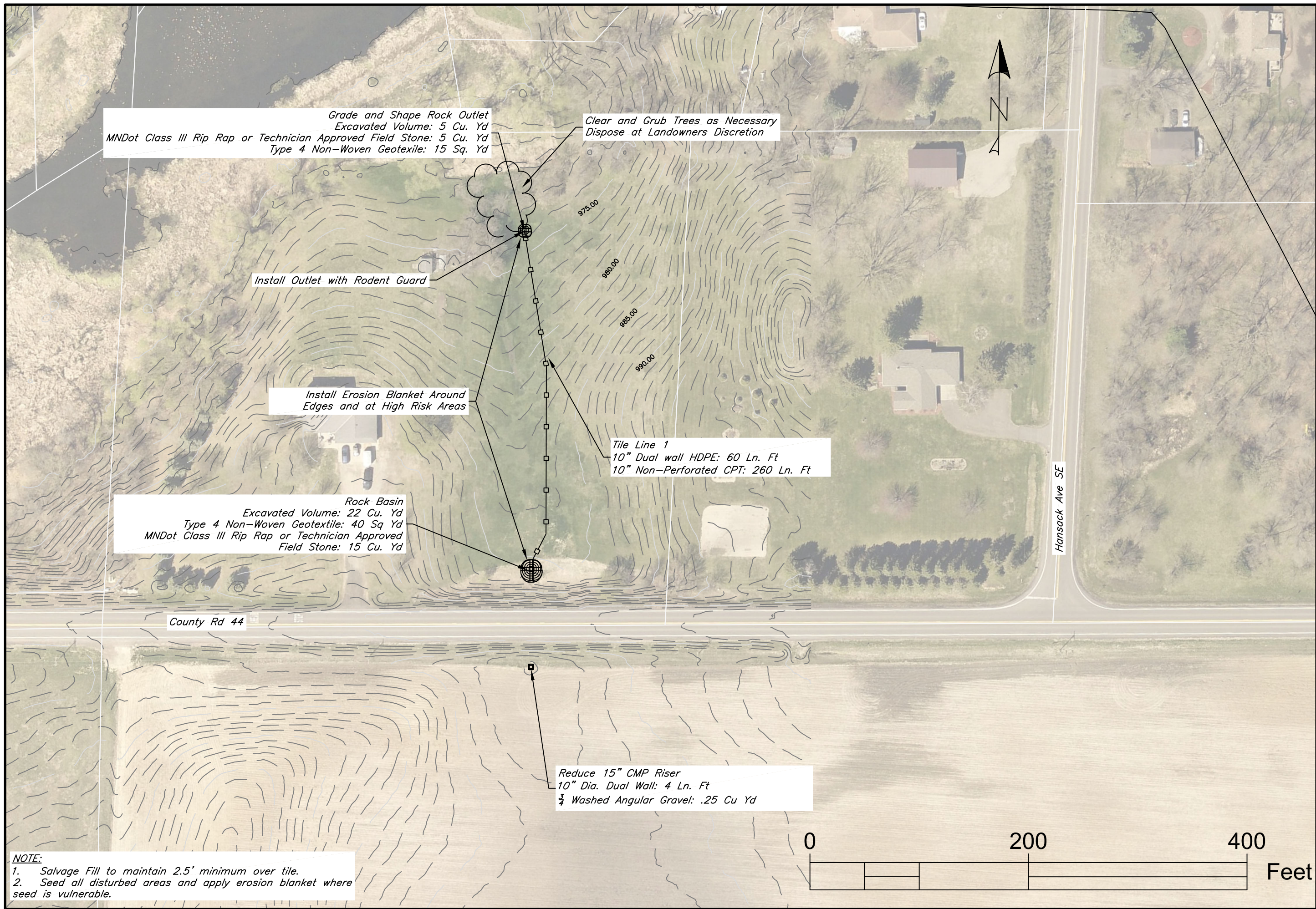
Date 2/6/2025
Designed Charles Bean
Drawn Charles Bean
Checked _____
Approved _____

COVER PAGE
Anderson/Kohnen 620 Underground Outlet
WRIGHT SOIL & WATER CONSERVATION DISTRICT
WRIGHT County, Minnesota

File Name
Gary Anderson1.dwg

Eng. Job Class
1

3/12/2025
Sheet 1 of 6



Grade and Shape Rock Outlet
 Excavated Volume: 5 Cu. Yd
 MNDot Class III Rip Rap or Technician Approved Field Stone: 5 Cu. Yd
 Type 4 Non-Woven Geotextile: 15 Sq. Yd

Clear and Grub Trees as Necessary
 Dispose at Landowners Discretion

Install Outlet with Rodent Guard

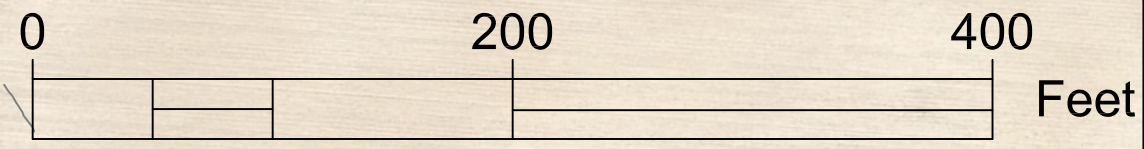
Install Erosion Blanket Around
 Edges and at High Risk Areas

Rock Basin
 Excavated Volume: 22 Cu. Yd
 Type 4 Non-Woven Geotextile: 40 Sq Yd
 MNDot Class III Rip Rap or Technician Approved
 Field Stone: 15 Cu. Yd

Tile Line 1
 10" Dual wall HDPE: 60 Ln. Ft
 10" Non-Perforated CPT: 260 Ln. Ft

Reduce 15" CMP Riser
 10" Dia. Dual Wall: 4 Ln. Ft
 3/4" Washed Angular Gravel: .25 Cu Yd

NOTE:
 1. Salvage Fill to maintain 2.5' minimum over tile.
 2. Seed all disturbed areas and apply erosion blanket where
 seed is vulnerable.



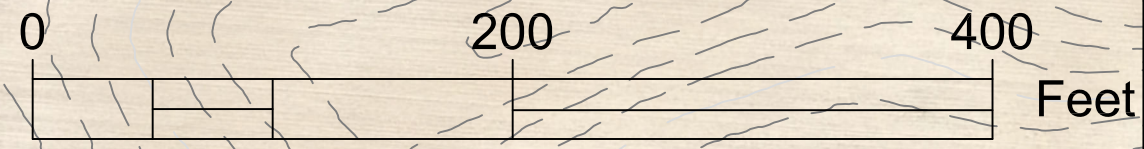
Date 2/6/2025
 Designed Charles Bean
 Drawn Charles Bean
 Checked _____
 Approved _____

SITE LAYOUT
 Anderson/Kohnen 620 Underground Outlet
 Wright SOIL & WATER CONSERVATION DISTRICT
 Wright County, Minnesota

File Name
 Gary Anderson1.dwg
 Eng. Job Class
 1
 3/12/2025
 Sheet 2 of 6



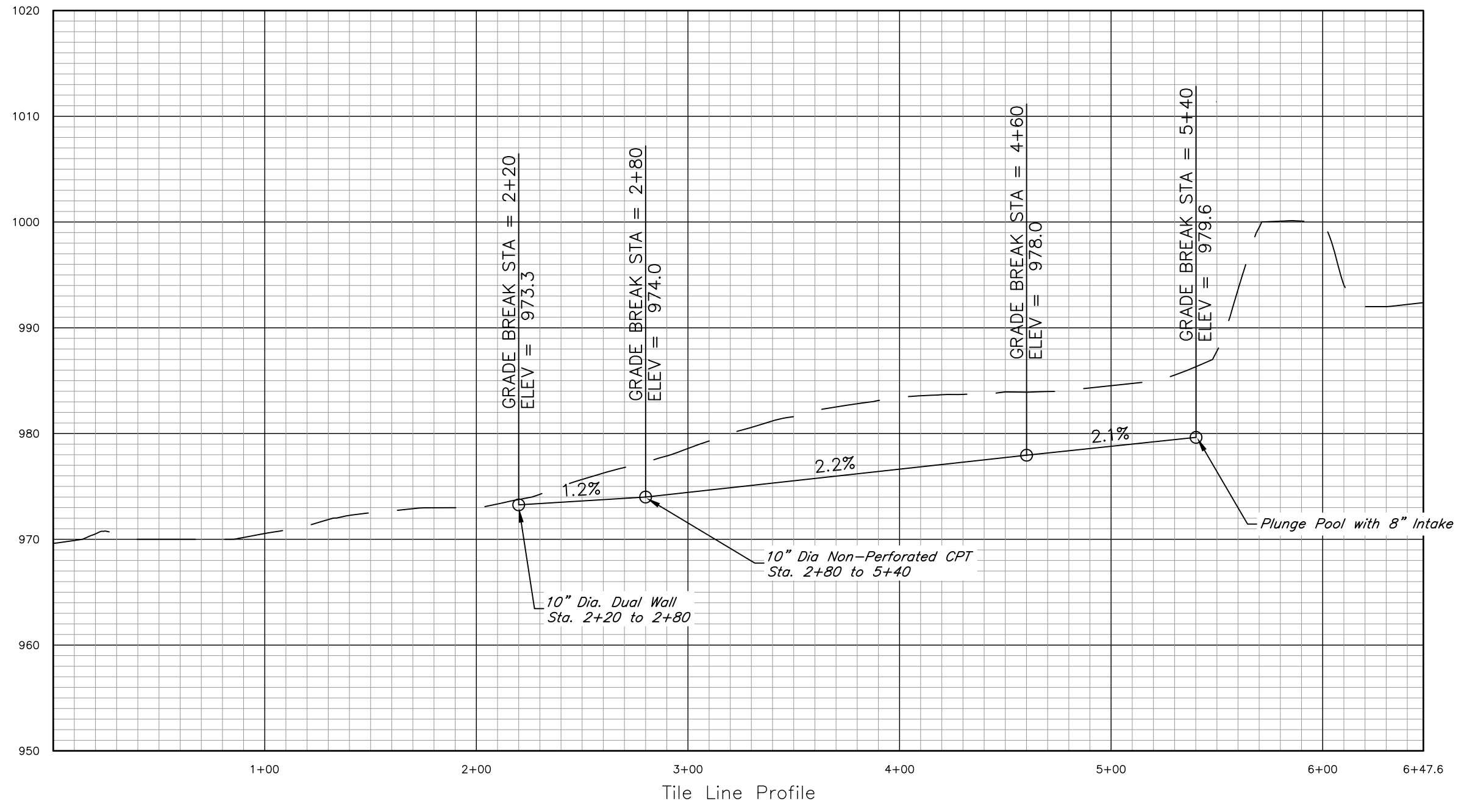
NOTE:
 1. Limit disturbance to construction boundary to limit seeding.



Date 2/6/2025
 Designed Charles Bean
 Drawn Charles Bean
 Checked _____
 Approved _____

SITE LAYOUT
 Anderson/Kohnen 620 Underground Outlet
 Wright SOIL & WATER CONSERVATION DISTRICT
 Wright County, Minnesota

File Name Gary Anderson1.dwg
 Eng. Job Class 1
3/12/2025
 Sheet 3 of 6



Date 2/6/2025
 Designed Charles Bean
 Drawn Charles Bean
 Checked _____
 Approved _____

TILE LINE PROFILE
 Anderson/Kohnen 620 Underground Outlet
 Wright SOIL & WATER CONSERVATION DISTRICT
 Wright County, Minnesota

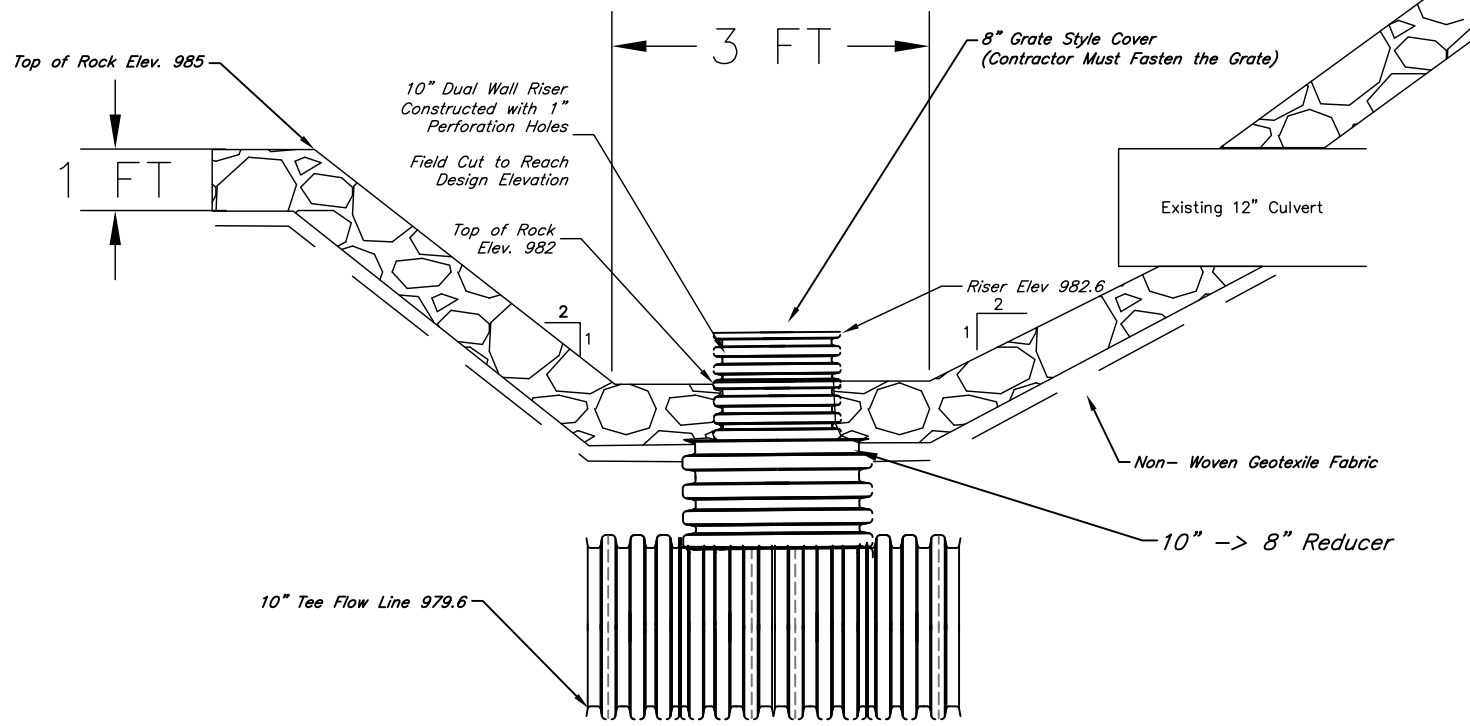
PRELIMINARY
 NOT FOR
 CONSTRUCTION

File No.
 Gary Anderson1.dwg
 Eng. Job Class
 /
 2/7/2025
 Sheet 3 of 5

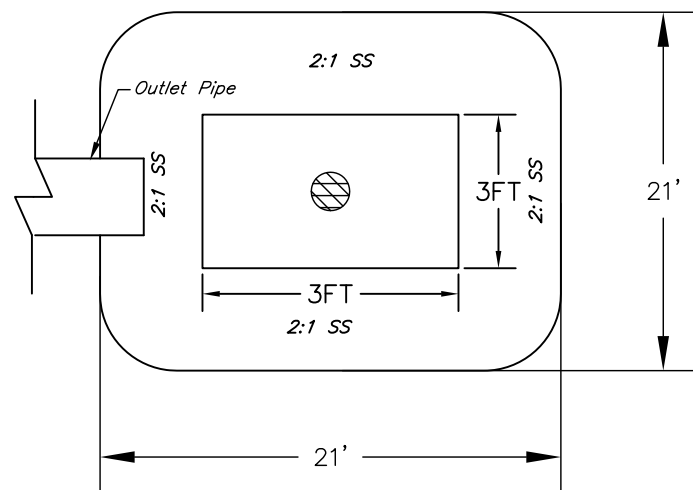
Rock Basin Riser

Details

Tie In Rock to Existing Right of Way



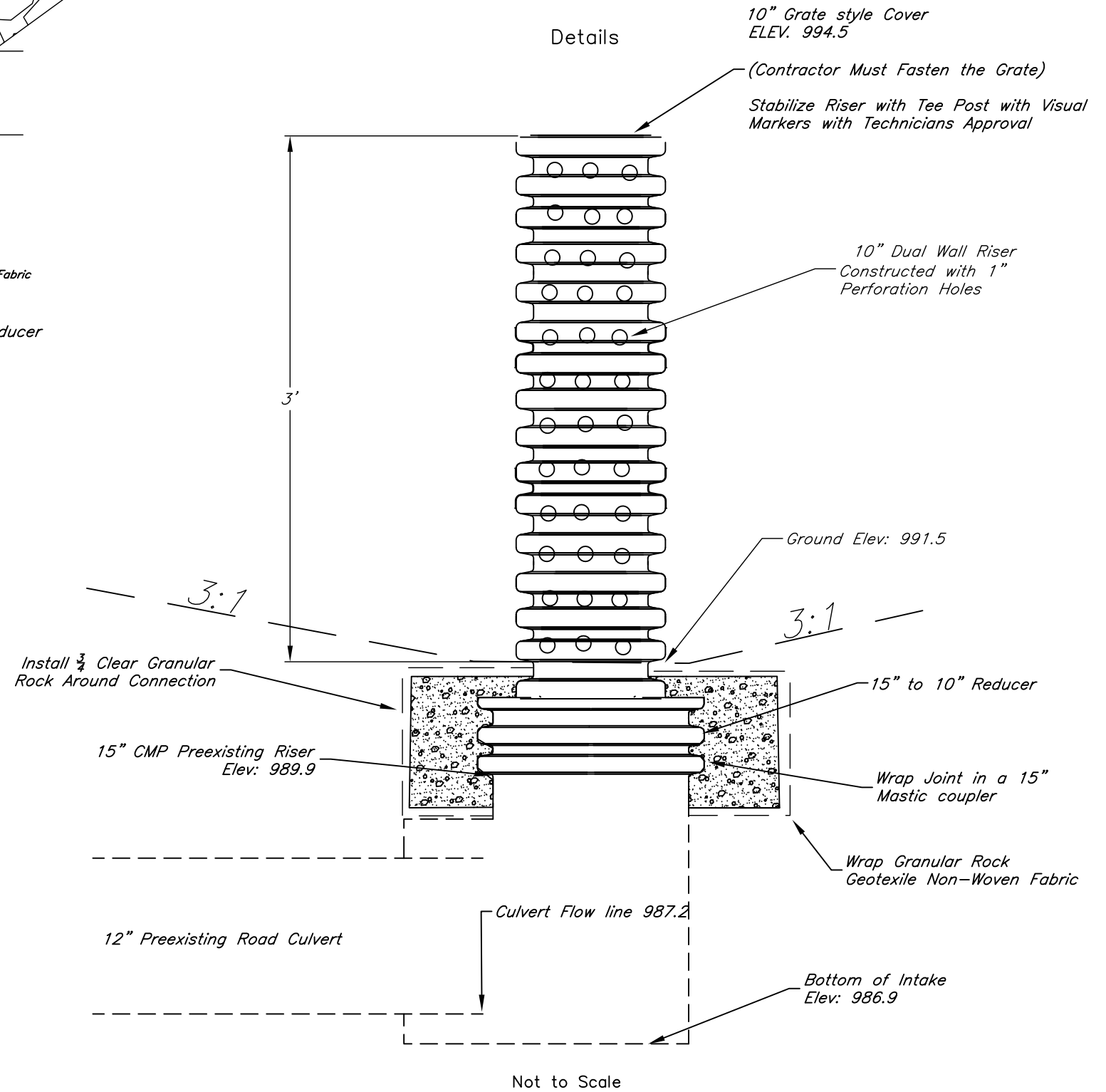
Rock Basin Riser
PLAN VIEW



NOTE:
1. Wrap all Granular Rock in Geotextile Non-Woven Fabric

Dual Wall Riser

Details



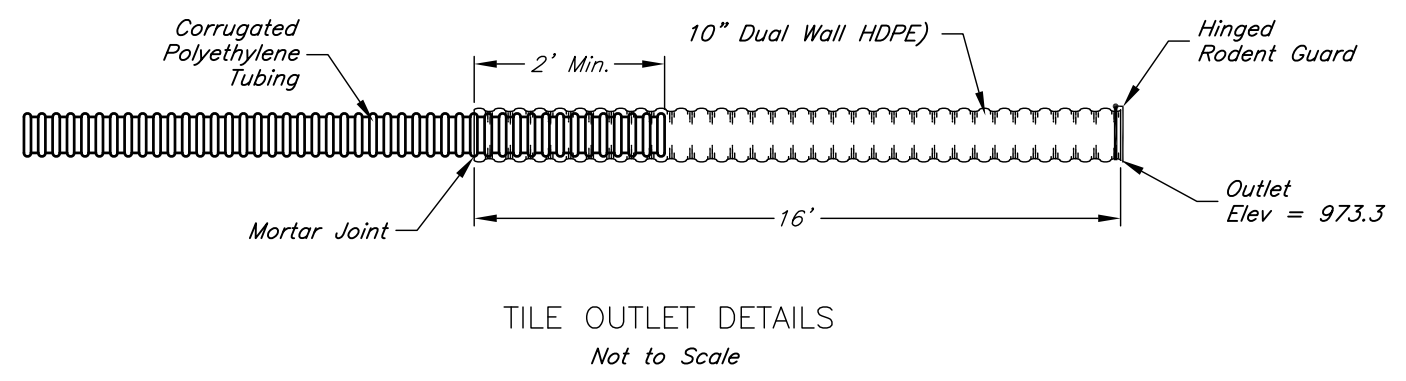
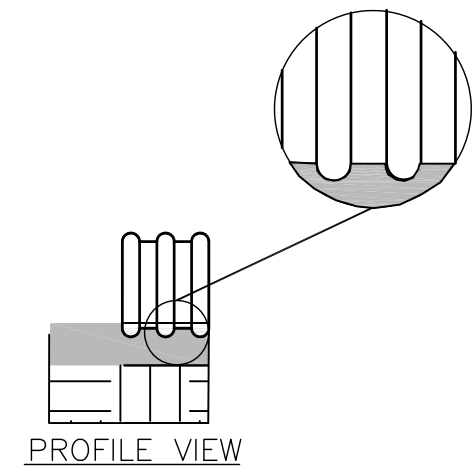
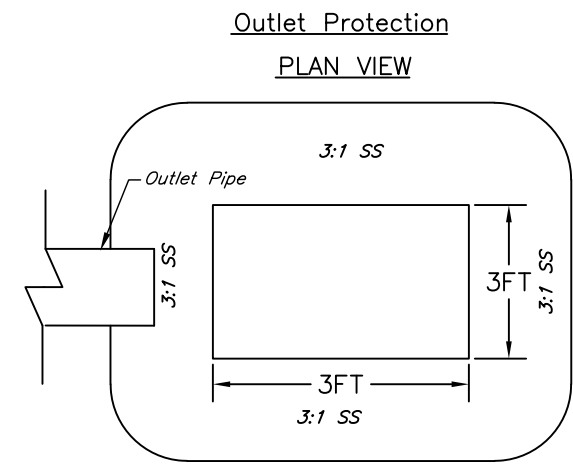
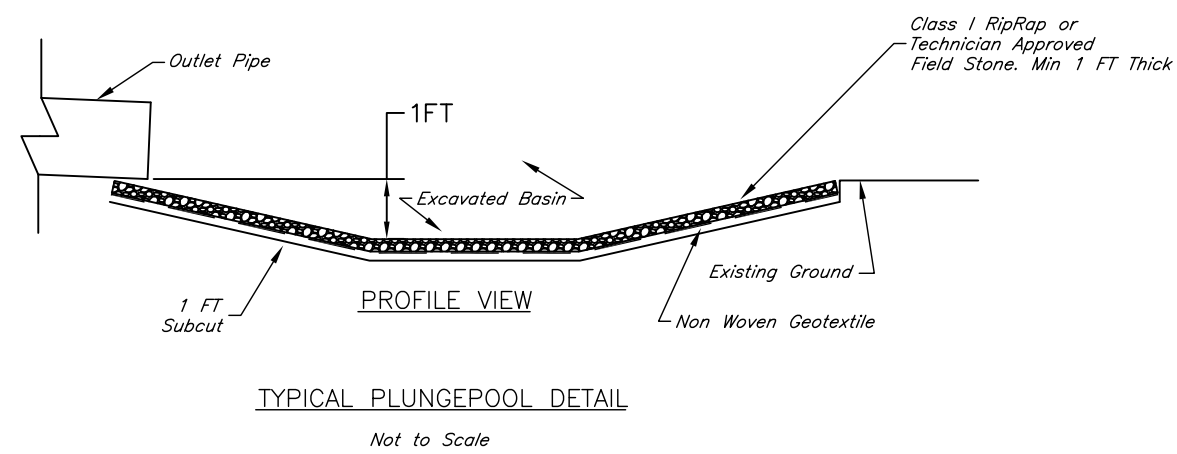
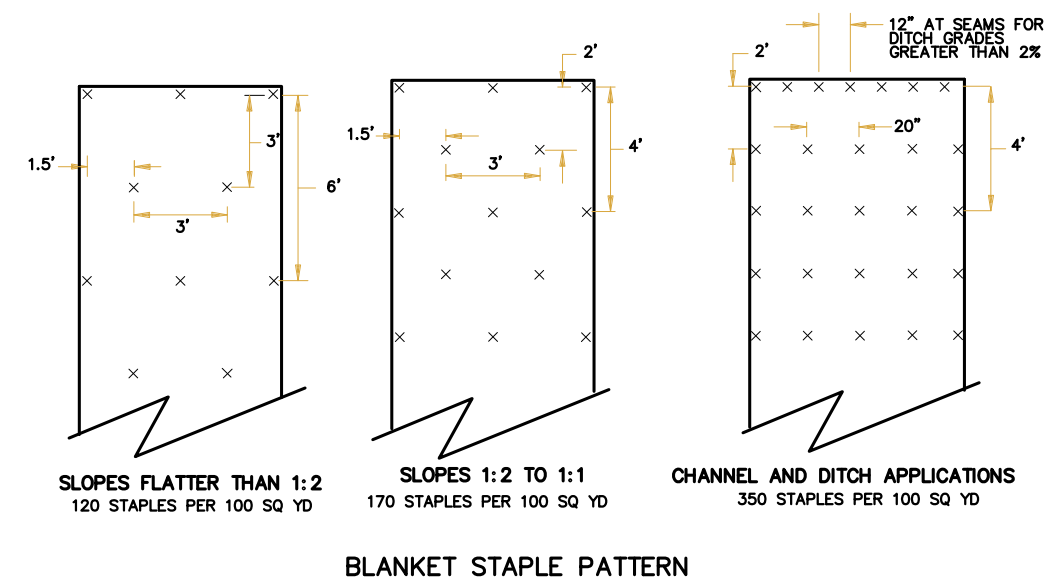
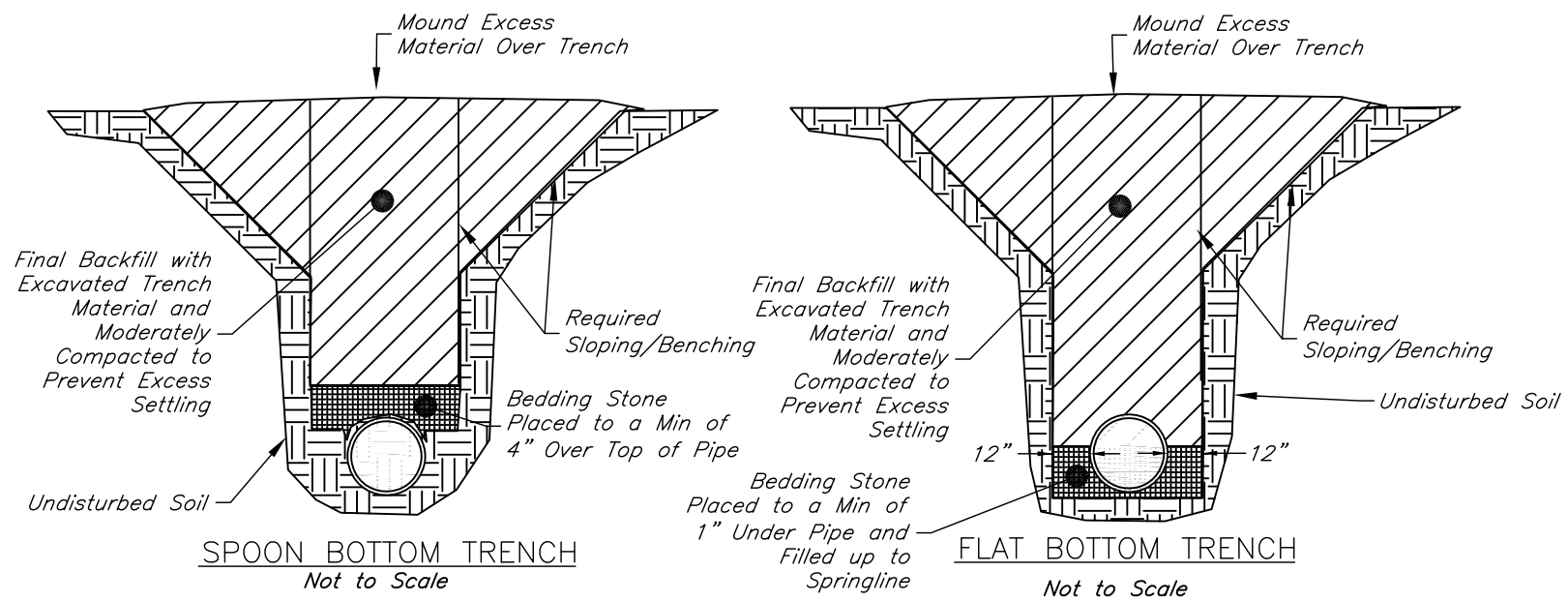
Not to Scale

Date 2/6/2025
Designed Charles Bean
Drawn Charles Bean
Checked _____
Approved _____

CONNECTION DETAILS
Anderson/Kohnen 620 Underground Outlet
Wright SOIL & WATER CONSERVATION DISTRICT
Wright County, Minnesota

PRELIMINARY
NOT FOR
CONSTRUCTION

File No.
Gary Anderson1.dwg
Eng. Job Class
1
2/7/2025
Sheet 4 of 5



ROCK RIPRAP & GEOTEXTILE QUANTITIES					
(D) PIPE DIAMETER (INCHES)	ROCK RIPRAP CLASS	PLACEMENT THICKNESS (INCHES)	ROCK RIPRAP (C.Y.)	GEOTEXTILE (S.Y.)	
				TYPE	OUTLET
8"	II	12"	3	III	9
10"	II	12"	4	III	10
12"	II	15"	5	III	12
15"	III	18"	7	IV	14

Date: 2/6/2025
 Designed: Charles Bean
 Drawn: Charles Bean
 Checked: _____
 Approved: _____
 Anderson/Kohnen 620 Underground Outlet
 Wright SOIL & WATER CONSERVATION DISTRICT
 Wright County, Minnesota

DETAILS
 File Name: Gary Anderson1.dwg
 Eng. Job Class: I
 3/12/2025
 Sheet 5 of 5